

# SIMPLEXA 178-2 top

Item no.: 1780230

Time and light control  
Digital time switches

## Description

- Astronomical time switch with weekly program
- 2 channels
- Astronomical switch function (automatic calculation of sunrise and sunset times for the whole year)
- Offset for adjusting of sunrise and sunset times
- Position data via coordinates or country/city lists can be programmed
- Screw terminals (4 mm<sup>2</sup>)
- 42 memory locations
- 6 years power reserve
- ON-OFF switching times
- Permanent ON/OFF switching
- Automatic summer/winter time changeover
- PIN coding
- Circuit preselection



## Technical data

| SIMPLEXA 178-2 top |                |
|--------------------|----------------|
| Operating voltage  | 230 V AC       |
| Frequency          | 50 - 60 Hz     |
| Width              | 2 modules      |
| Installation type  | DIN rail       |
| Type of contact    | NO contact     |
| Opening width      | < 3 mm (μ)     |
| Program            | Weekly program |

| SIMPLEXA 178-2 top                        |         |
|---|---------|
| Program functions                         | ON-OFF  |
| Number of channels                        | 2       |
| Number of memory locations                | 42      |
| Power reserve                             | 6 years |
| Switching capacity at 250 V AC, cos φ = 1 | 16 A    |

Subject to technical changes and misprints

additional information at: [www.theben.de/product/1780230](http://www.theben.de/product/1780230)

The load data are determined with exemplary selected illuminants and are therefore typical data due to the large number of available products.

# SIMPLEXA 178-2 top

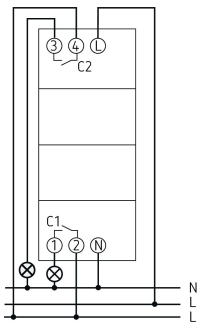
Item no.: 1780230

## Technical data

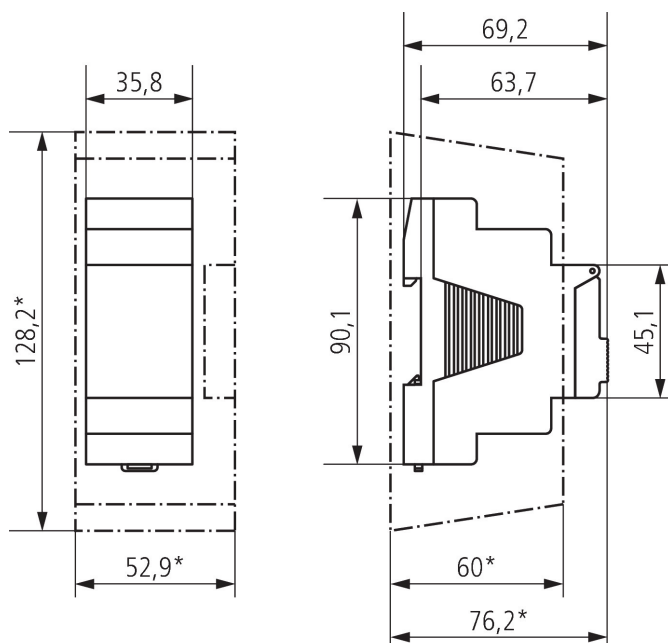
| SIMPLEXA 178-2 top                                      |         |
|---|---------|
| Switching capacity at 250 V AC, $\cos \varphi = 0,6$    | 2 A     |
| Incandescent/halogen lamp load                          | 2600 W  |
| LED lamp < 2 W  | 30 W    |
| LED lamp 2-8 W  | 300 W   |
| LED lamp > 8 W  | 300 W   |
| Fluorescent lamp load (conventional) not corrected      | 2600 VA |
| Fluorescent lamp load (conventional) series-corrected   | 2600 VA |
| Fluorescent lamp load (conventional) parallel-corrected | 650 VA  |
| Shortest switching times                                | 1 min   |

| SIMPLEXA 178-2 top              |  |
|---------------------------------|--|
| Time accuracy at 25 °C          | $\leq \pm 0.5$ s/day (quartz)                                |
| Time basis                      | Quartz   |
| Stand-by consumption            | ca. 0.54 W   |
| Type of connection              | Screw terminals  |
| Display                         | LCD  |
| Keyboards                       | 4 touch buttons  |
| Housing and insulation material | High-temperature resistant, self-extinguishing thermoplastic |
| Type of protection              | IP 20  |
| Protection class                | II according to EN 60 730-1                                  |
| Ambient temperature             | -30°C ... 55°C   |

## Connection example



## Scale drawings



Subject to technical changes and misprints

additional information at: [www.theben.de/product/1780230](http://www.theben.de/product/1780230)

The load data are determined with exemplary selected illuminants and are therefore typical data due to the large number of available products.

# SIMPLEXA 178-2 top

Item no.: 1780230

**theben**

## Accessories

---

### Wall mounting kit 35 mm

Item no.: 9070064



### Front panel kit

Item no.: 9070001



Subject to technical changes and misprints

additional information at: [www.theben.de/product/1780230](http://www.theben.de/product/1780230)

The load data are determined with exemplary selected illuminants and are therefore typical data due to the large number of available products.