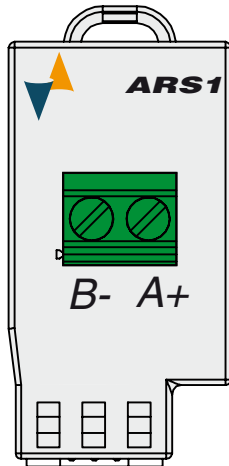




ARS1

NOT ISOLATED TTL TO RS485 CONVERTER



Manual

Code : ISTR-ARS1-3ENG01 - Vr. 1.0 (ENG)

Ascon Tecnologic S.r.l.

Viale Indipendenza 56, 27029 Vigevano (PV) - ITALY

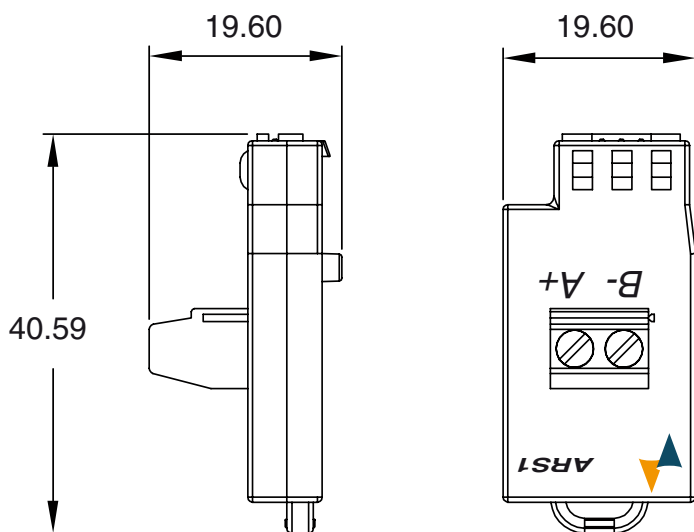
Tel.: +39 0381 69871/FAX: +39 0381 698730

site: www.ascontecnologic.com

e-mail: info@ascontecnologic.com

1 OUTLINE DIMENSIONS (mm)

1.1 Dimensions



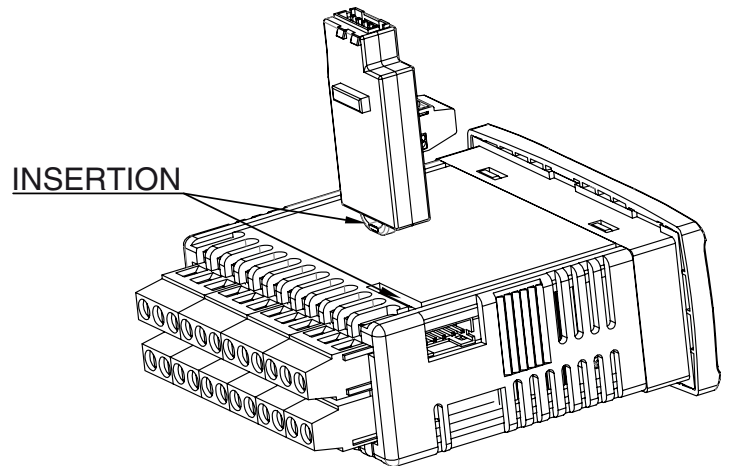
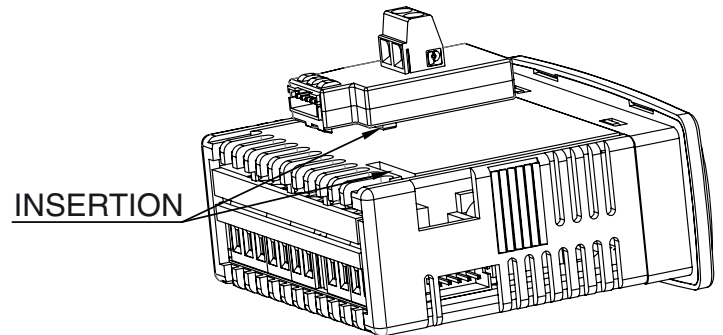
1.2 Mounting requirements

This instrument is intended for permanent installation, for indoor use only, in an electrical panel which encloses the rear housing, exposed terminals and wiring on the back.

Select a mounting location having the following characteristics:

1. It should be easily accessible;
2. There is minimum vibrations and no impact;
3. There are no corrosive gases;
4. There are no water or other fluids (i.e. condensation);
5. The ambient temperature is in accordance with the operative temperature (0... 50°C);
6. The relative humidity is in accordance with the instrument specifications (20... 85%);

1.3 Fixing modes



2 CONNECTION DIAGRAM

2.1 General notes about wiring

1. Do not run RS485 wires together with power cables.
2. When a shielded cable is used, it should be connected at one point only.

2.2 TTL connection

2.2.1 CATTL D011 Cable

Identification: Both side with a black tube

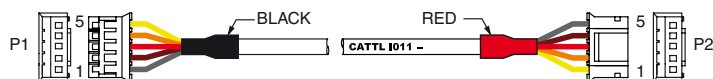


To be used with models:

- X31, X33, X34;
- TLY 35;
- TLK 38, TLK 39;
- K38, K39.

2.2.2 CATTL I011 Cable

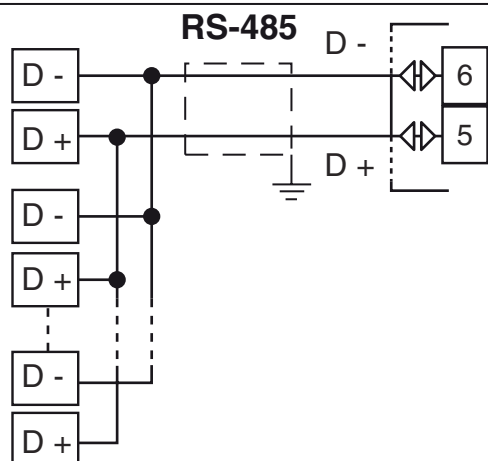
Identification: One side with a black tube and one side with red tube.



To be used with models:

- Z30, Z31;
- Y33, Y39, W09;
- TLY25, TLY 27, TLY28, TLY 29;
- TLB30;
- TLW24;
- R38.

2.3 Serial Interface



Interface type: NOT Isolated RS-485;

Voltage levels: According to EIA standard.

- Notes:**
1. RS-485 interface allows to connect up to 30 devices with one remote master unit.
 2. The cable length must not exceed 1.5 km at 9600 baud.